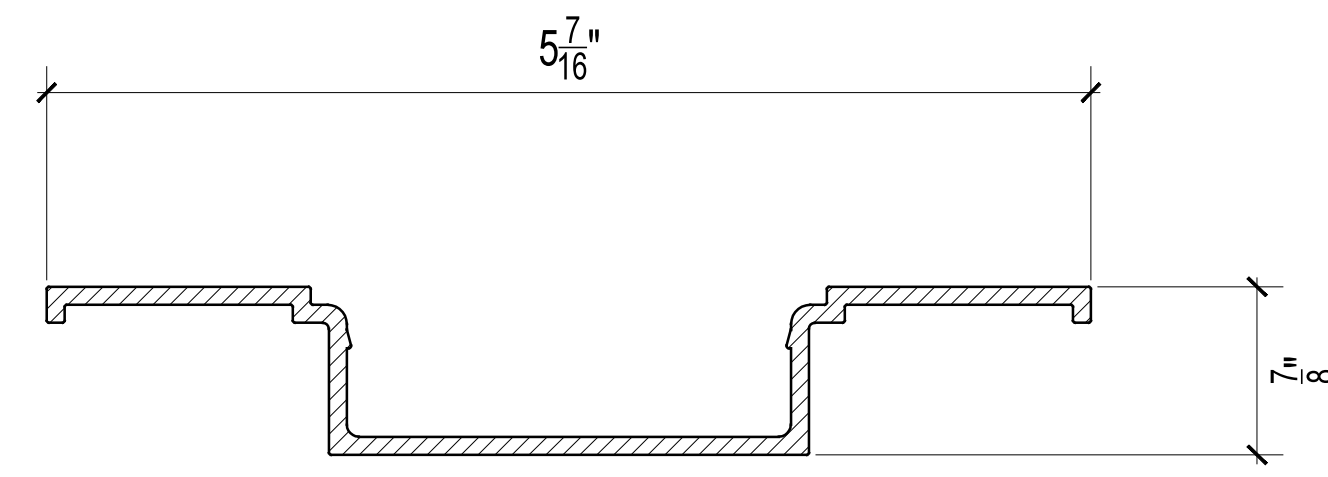


01 'Z' PIECE - MID PANEL

SCALE : 1'-0" = 1'-0"

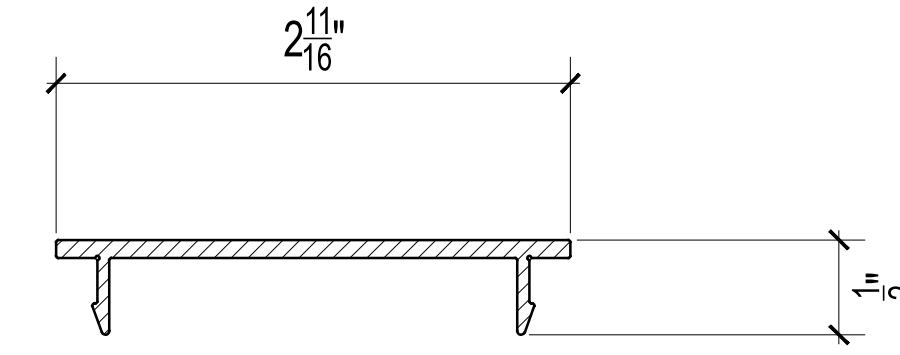
PATENTED



02 HAT CHANNEL

SCALE : 1'-0" = 1'-0"

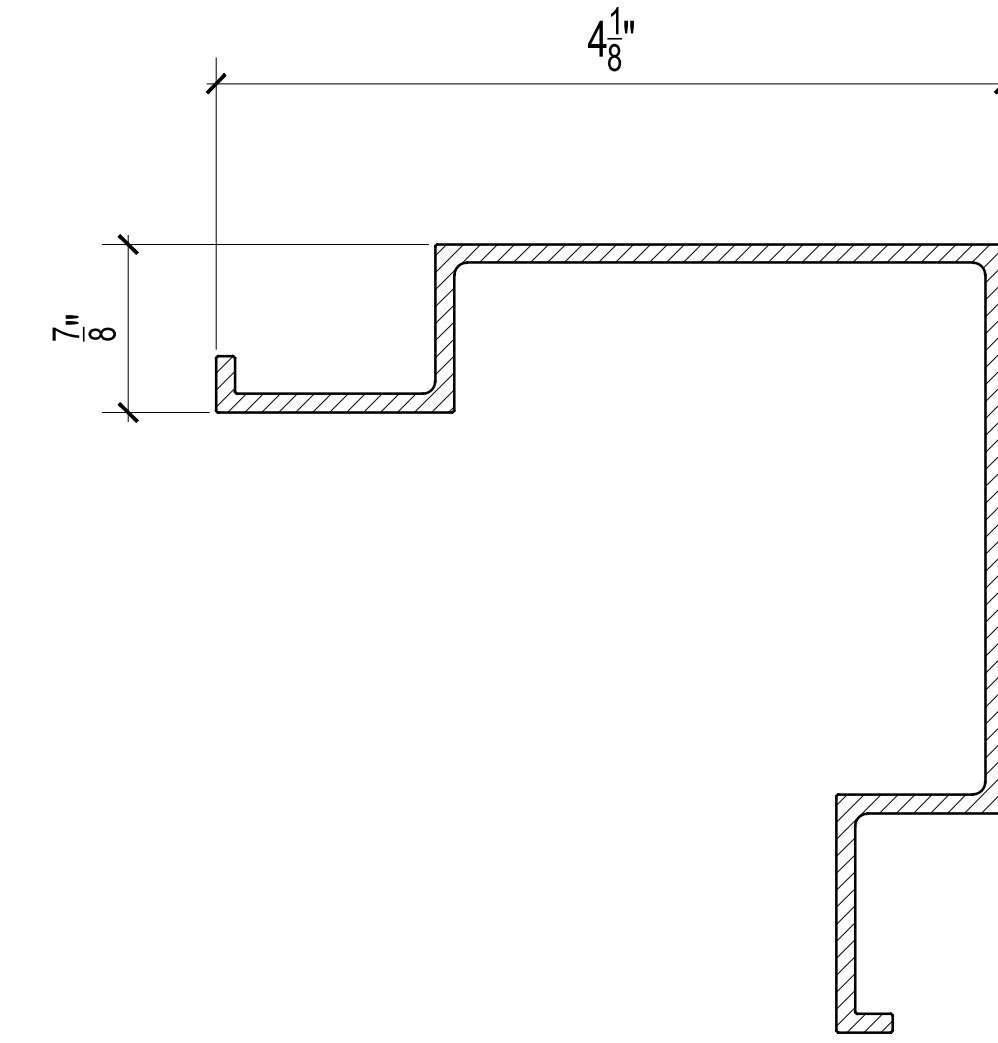
PATENTED



03 HAT CHANNEL FILLER

SCALE : 1'-0" = 1'-0"

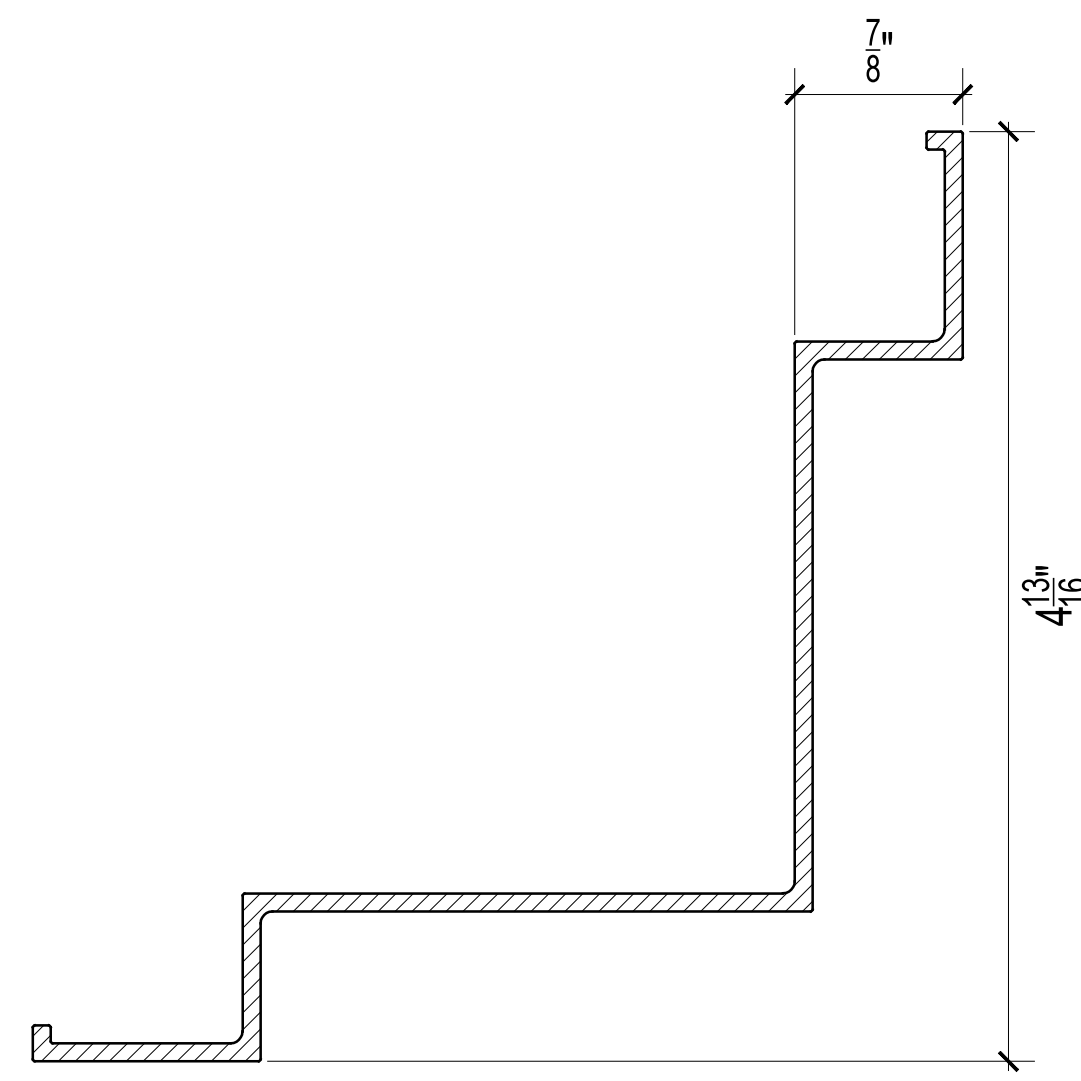
PATENTED



04 OUTSIDE CORNER

SCALE : 1'-0" = 1'-0"

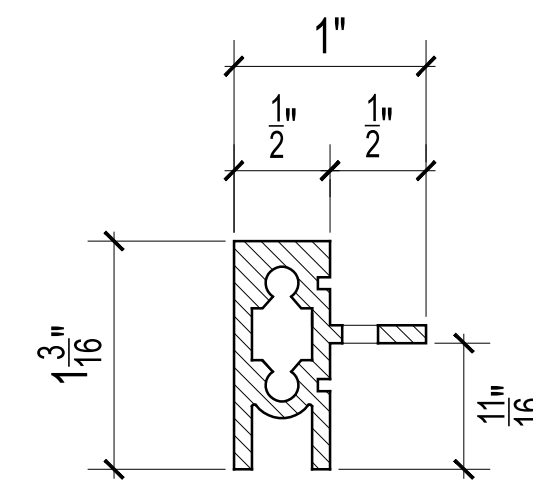
PATENTED



05 INSIDE CORNER

SCALE : 1'-0" = 1'-0"

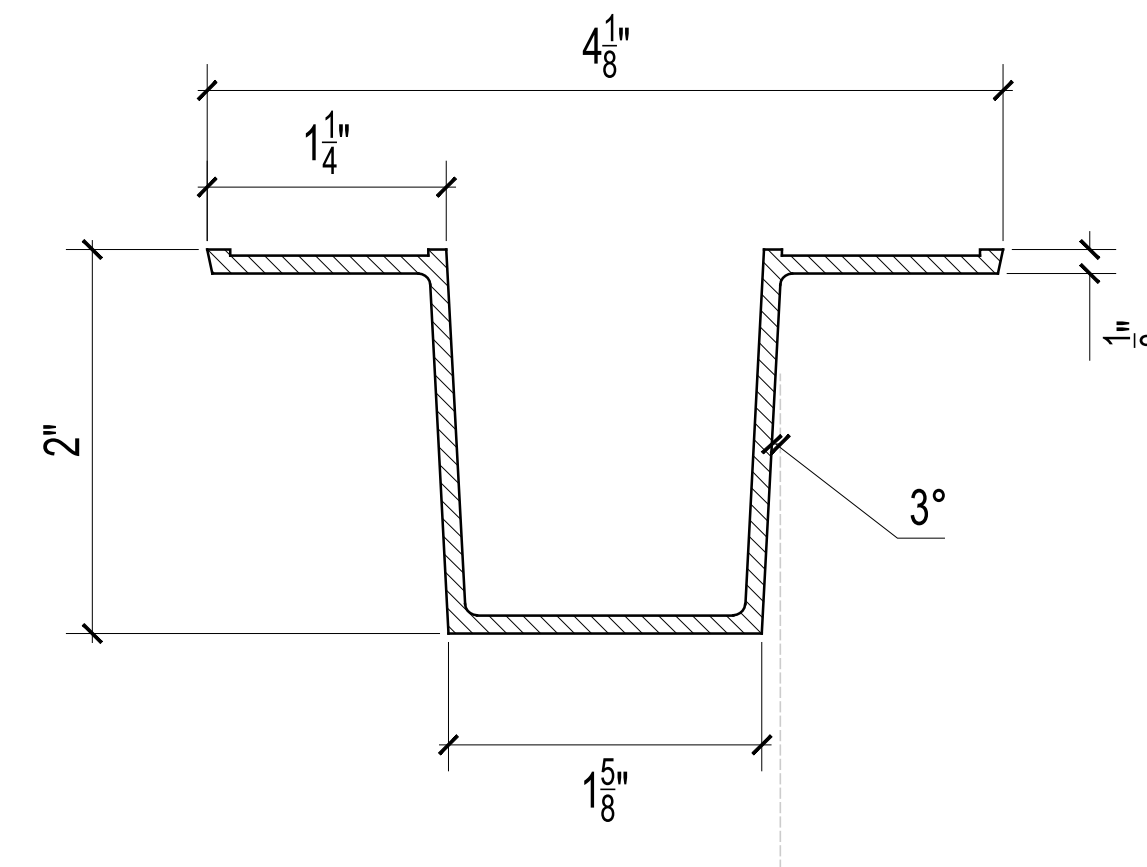
PATENTED



06 WINDOW & DOOR TRIM

SCALE : 1'-0" = 1'-0"

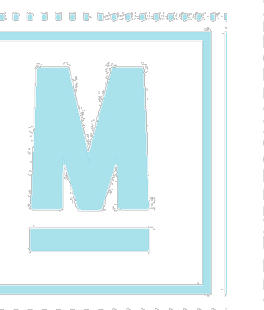
PATENTED



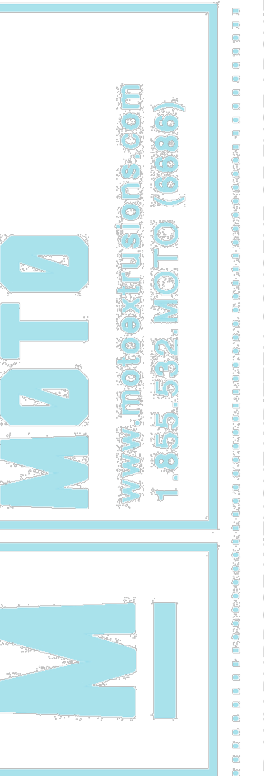
07 2" HAT CHANNEL

SCALE : 1'-0" = 1'-0"

PATENTED



411 capitol avenue
capitola + california
1.855.532.MOTO (6686)
www.motoextrusions.com
mto@motoextrusions.com



MOTO EXTRUSIONS INC.
411 CAPITOLA AVENUE · CAPITOLA · CALIFORNIA 95010

MOTO LIBRARY PROFILES

ML